

**DOOR CONTROL  
DEVICES & HARDWARE**



**DOORCONTROL** TM  
SERIES

**Edition #2**

# Innovation for

Ozone, a leading name in architectural hardware domain, offers high quality architectural hardware & safety solutions worldwide. It has achieved many accolades internationally for its innovative and technologically advanced products and solutions. Its manufacturing capability enables it to offer turnkey projects of all sizes. The design team includes architects, product designers & structural engineers who innovate and support the customers and project managers. Offering more than 3000 products from its portfolio intelligently divided into 09 broad categories based on application. Ozone has been continuously innovating to offer best solutions complying with international norms of safety & quality.

## Manufacturing Capability

Our state-of-the-art manufacturing units located in India and overseas enable us to provide Standard and Customized Architectural Hardware & Infrastructural Solutions in Stainless Steel.

### Our strengths are:

- Over 18 years extensive experience of operating in Architectural Hardware Industry and Digital Safes
- Dedicated and technically experienced team
- Advanced automated machines & tools
- Ability to undertake OEM & ODM projects
- In-house R & D set-up for offering right mix of design, cost, quality and delivery
- Project support & customer service team



# Machinery

Our manufacturing units are equipped with the latest and technologically advanced machines. These comprise CNC laser cutting machine, CNC water jet cutting machine, CNC shearing machine, robotic welding & automatic polishing machines that enable us to manufacture all types of hardware fittings in stainless steel material and finish, standard as well as customized, as per international safety & quality norms.



VMC (Vertical Machine Center)



CNC Turning Centres



Welding Center



CNC Press Brake



NC Shearing Machine



Assembly Line



CNC Laser Cutting Machine

## Ozone Product SBUs

Our product portfolio offers more than 3000 SKUs, intelligently divided into 08 broad categories. We constantly endeavour to innovate products for offering better solutions that deliver enhanced value to our discerning customers' world over such as architects, builders, contractors, fabricators, specifiers, consultants and home owners.



Architectural Glass Fittings



Door Control Devices



Automatic Doors & Intelligent Locks



Furniture & Kitchen Hardware and Wardrobe Sliding Systems



Customized Railing Systems



Urban Street Furniture



Fire Safety & Security Doors and Modular Cleanrooms



Security Solutions



Connect with Ozone Customer Care

✉ [ozone@ozone-india.com](mailto:ozone@ozone-india.com)

☎ 09310012300

🌐 [www.ozone-india.com](http://www.ozone-india.com)

# INDEX ...

| <b>Product Details</b>  | <b>Page No.</b> |
|---|-----------------|
| <b>SOFTWARE BASED HOTEL RFID CARD LOCKS</b> <ul style="list-style-type: none"> <li>• Hotel RFID Card Locks</li> </ul>   | 01-05           |
| <b>LEVER HANDLES</b> <ul style="list-style-type: none"> <li>• Premium Pro Series - OPXP</li> <li>• Premium Series - OPX</li> <li>• Contractor Pro Series - OCXP</li> <li>• Contractor Series - OCX</li> <li>• Contractor KY Series - OCX.KY</li> <li>• Contractor BT Series - OCX.BT</li> <li>• Tubular Mortise Handle - OMH</li> </ul> | 06-23           |
| <b>DOOR LOCKING SOLUTIONS AND DOOR ACCESSORIES</b> <ul style="list-style-type: none"> <li>• Mortise Lock Body</li> <li>• Euro Profile Cylinders for Mortise Locks</li> <li>• Night Latch Locks</li> <li>• Cylindrical Knob Locks</li> <li>• SS Butt Hinges</li> <li>• Door Accessories</li> </ul>                                       | 24-31           |
| <b>FIRE RATED PANIC (EXIT) DOOR HARDWARE</b> <ul style="list-style-type: none"> <li>• Push Panic Bars</li> <li>• Cross Push Panic Bars</li> <li>• Fire Rated Gravity Door Coordinator</li> </ul>  | 32-34           |
| <b>DOOR CLOSING DEVICES</b> <ul style="list-style-type: none"> <li>• Hydraulic Bottom Patch</li> <li>• Cam Action Floor Spring</li> <li>• Transom Closers</li> </ul>  | 35-54           |
| <ul style="list-style-type: none"> <li>• Overhead Door Closers</li> <li>• Concealed Door Closers</li> <li>• Electromagnetic Door Closers</li> <li>• Accessories for Overhead Closers</li> </ul>   | 44-54           |

-----  
**SOFTWARE BASED  
HOTEL RFID CARD LOCKS**  
-----



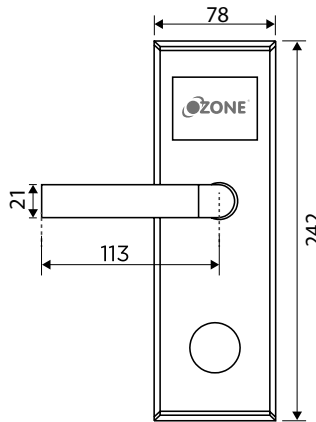
**OZEL-2011RF-11H-R/L V9**

Software Based Hotel Door Lock

Material : Zinc Alloy | Finish : SSS

**Features**

- Separate product for left and right opening door
- Suitable door thickness : 35-45mm
- Compatible with Hotel Access Management System Software
- Can have 4 guest cards and multiple management cards
- High quality R.F. reader
- Emergency pass key provided with each lock
- Power Supply - 1.5v battery-4 nos. DC 6.5v ± .5v
- Compatible with data collector reader
- Low battery indicator



**Door Lock Accessories for OZEL-2011RF-11H-R/L V9 Locks**



**OZEL-RF-CARD-TN-V9**

RFID card  
Through handling  
RFID card



**OZEL-RF-PS-N**

Power Saver (40 amp) For activating electrical connection in the room connected to power saver unit



**OZEL-DC-RF-V9**

Data Collection device For collecting data from RFID Lock through data collection card



**OZOM-RF-HLS**

Hotel Lock Management S/W



**OZEL-CR-RF-V9**

Card Reader For programming RFID Cards

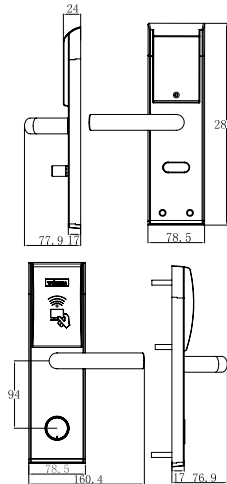
**OZHDL-111 RF-R/L STD**

Software Based Hotel Door Lock

Material : Zinc Alloy | Finish : SSS

**Features:**

- Separate product for left & right opening door
- Suitable door thickness : 35-50mm
- Compatible with PMS
- Multiple management cards are provided (Time setting card, Floor card, Master card, Group card, Guest card)
- Hand sim can record 1000 last entry transactions
- Mechanical key provided for emergency use
- Alarms when door is not closed properly
- Terminating function
- Passage function
- Low battery indicator
- Power supply-1.5 V battery(AA) -4 Pcs



**Door Lock Accessories For OZHDL-111 RF-R/L Std**



**OZEL-RF-222/333-CR V10**

Card reader For programming RFID Cards



**OZEL-RF222/333-CARD V10 WHITE**

RFID card Through handling RFID card



**OZEL-RF-DC V10 STD**

Data Collector Handset Hand sim for locks programming & data collection



**OZOM-RF-HLS**

Hotel Lock Management S/W



**OZEL-RF222/333-PS V10 WHITE**

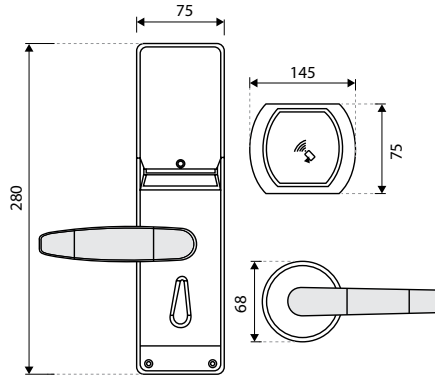
Power saver (30Amp) For activating electrical connection in the room connected to power saver unit

**OZEL-RF-222 R/L SN**  
**OZEL-RF-222 R/L CP**

Software Based Hotel Door Lock  
 Material : Zinc Alloy | Finish : SN/CP

**Features**

- Universal Lever
- Suitable door thickness 38-45mm
- Compatible with HMS
- Can have multiple guest cards and multiple management cards
- Two Emergency pass key
- Exclusive robotic design
- 1.5v battery-4 nos. DC-6.5v ± .5v (Alkaline Batteries)
- High frequency - Mh<sub>2</sub>
- High quality RF reader
- Compatible with data collector reader
- Low battery indicator
- Alarm when door not closed properly
- Dual circuit design
- Invisible/hidden cylinder
- Dead Bolt

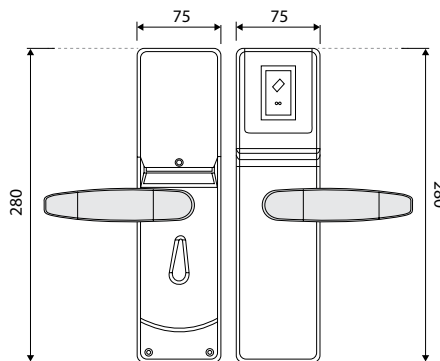


**OZEL-RF-333 L/R V10**

Software Based Hotel Door Lock  
 Material : Zinc Alloy | Finish : Gold  
 Available in SN finish also

**Features**

- Universal Lever
- Suitable door thickness 38-45mm
- Compatible with HMS
- Can have multiple guest cards and multiple management cards
- Two Emergency pass key
- Royal color/Look
- 1.5v battery-4 nos. DC-6.5v ± .5v (Alkaline Batteries)
- High frequency - Mh<sub>2</sub>
- Compatible with data collector reader
- Low battery indicator
- Alarm when door not closed properly
- Dual circuit design
- Invisible/hidden cylinder
- Dead Bolt
- High quality RF Reader



**Accessories for RF 222/333 Locks**



**OZEL-RF222/333-CARD V10 White**  
 RFID Card  
 Through handling  
 RFID Card



**OZEL-RF222/333-PS V10 WHITE**  
 Power saver (30Amp)  
 For activating electrical  
 connection in the room connected to power saver unit



**OZEL-RF222/333-CR V10**  
 Card Reader  
 For programming  
 RFID Cards



**OZOM-RF-HLS**  
 Hotel Lock  
 Management S/W



**OZEL-RF-DC V10 STD**  
 Data Collector Handset  
 Hand sim for locks programming & data collection

**OZEL-RF-VII-444 R/L**

Software Based Hotel Door Lock

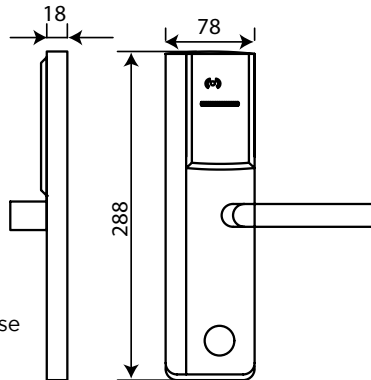
Material : Stainless Steel Grade 304

Finish : SSS



**Features**

- Separate product for left and right opening door
- Suitable door thickness 38-45mm
- Compatible with PMS
- Material is 304 Grade Stainless steel
- PCB-GSK capacity, covered with antidust cover, surrounded with anti-oxygen glue
- Multiple Guest cards & Multiple management cards are provided (Time setting card, Floor card, Master card, Group card)
- 2 Nos. Mechanical Key provided for emergency use
- Alarm when door is not closed properly
- Low battery indicator
- Power Supply-ISV battery (AA)-4Pcs



**Door Lock Accessories for OZEL-RF-444 Locks**



**OZEL-RF-V11-ACC-CARD Std Std**

RFID Card  
Through handling RFID Card



**OZEL-RF-V11-ACC- QC Std Std**

Query Card (To download door open record from lock, Each Query Card can hold 96 records)



**OZEL-RF-V11-CC-PS White Std**

Power saver (30Amp)  
For activating electrical connection in the room connected to power saver unit



**OZOM-RF-HLS**  
Hotel Lock Management S/W



**OZEL-RF-V11-ACC-CR Black Std**

Card Reader  
For programming RFID Cards

**OZEL-RF-VII-555 R/L**

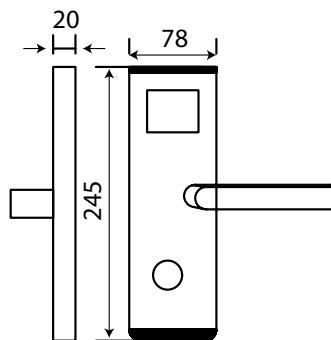
Software Based Hotel Door Lock

Material : Zinc Alloy | Finish : SSS



**Features**

- Separate product for left and right opening door
- Suitable door thickness 38-45mm
- Compatible with PMS
- Material is 304 Grade Stainless steel
- PCB: GSK capacity covered with anti-dust cover, surrounded with anti-oxygen glue
- Multiple Guest cards & Multiple management cards are provided (Time setting card, Floor card, Master card, Group card)
- 2 Nos. Mechanical Key provided for emergency use
- Alarms when door is not closed properly
- Low battery indicator
- Power Supply-ISV battery (AA)-4Pcs



**Door Lock Accessories for OZEL-RF-555 Locks**



**OZEL-RF-V11-ACC-CARD Std Std**

RFID Card  
Through handling RFID Card



**OZEL-RF-V11-ACC- QC Std Std**

Query Card (To download door open record from lock, Each Query Card can hold 96 records)



**OZEL-RF-V11- ACC-PS White Std**

Power saver (30Amp)  
For activating electrical connection in the room connected to power saver unit



**OZOM-RF-HLS**  
Hotel Lock Management S/W



**OZEL-RF-V11-ACC-CR Black Std**

Card Reader  
For programming RFID Cards



**OZEL-RF-111R/L-O**

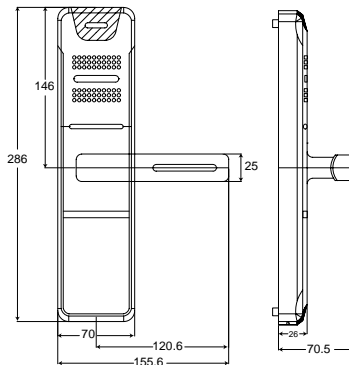
Software Based Hotel Door Lock  
Material : Zinc Alloy with chrome plating  
Finish : SSS



**Features**

**Software Based Hotel Door Lock**

- Material: Alloy, Chrome Plated
- Suitable door thickness: 38-45mm
- Applicable with EURO mortise or ANSI mortise
- Suitable for hotels, offices, residences
- Compatible with ORACLE OPERA/HMS
- Anti-panic exit function
- Can have multiple guest cards & management cards
- Dual circuit high frequency reader
- Exclusive robust design
- Low battery indicator
- Alarms when door not closed properly
- Invisible/hidden cylinder
- Safety latch & dead bolt
- Hidden screws



**Door Lock Accessories for RF-111R/L-O**



**OZEL-RF-111-CR -V10-O-Std**  
Card reader  
For programming RFID Cards



**OZEL-RF-111-Card-V10-O-White**  
RFID card  
Through handling RFID card



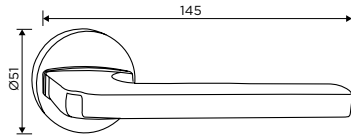
**OZEL-RF222/333-PS V10 WHITE**  
Power saver (30Amp)  
For activating electrical connection  
in the room connected to power saver unit

-----  
**LEVER HANDLES  
WITH ROSE / PLATE**  
-----

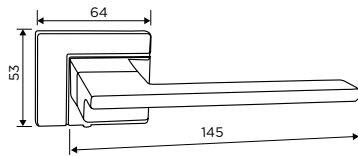


**PREMIUM PRO SERIES - OPXP**

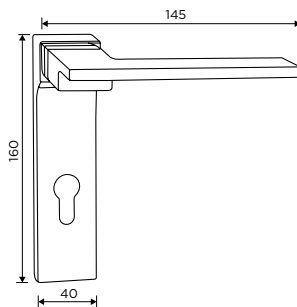
**OPXP.001 RR CP**  
**OPXP.001 RR SN**  
 Handle with Round Rose  
 Material : Zinc Alloy  
 Finish : CP, SN



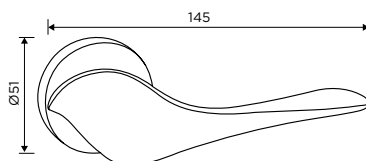
**OPXP.002 SR CP**  
**OPXP.002 SR CP/SN**  
 Handle with Square Rose  
 Material : Zinc Alloy  
 Finish : CP, CP/SN



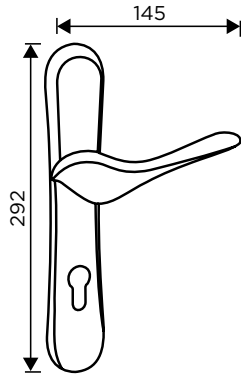
**OPXP.002 6" CP**  
**OPXP.002 6" CP/SN**  
 Handle on Plate-6"  
 Material : Zinc Alloy  
 Finish : CP, CP/SN



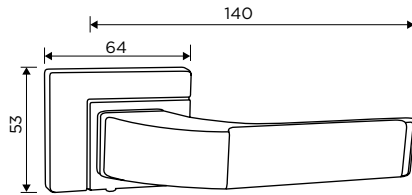
**OPXP.003 RR CP**  
**OPXP.003 RR SN**  
 Handle with Round Rose  
 Material : Zinc Alloy  
 Finish : CP, SN



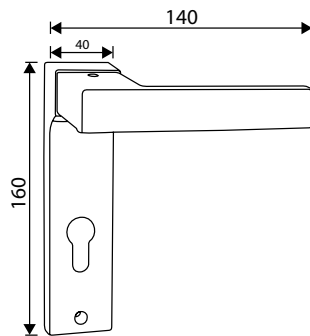
**OPXP.003 10" SN**  
**Handle on Plate-10"**  
 Material : Zinc Alloy  
 Finish : SN



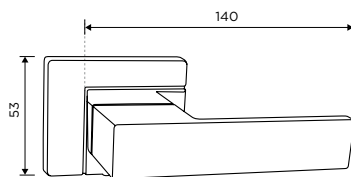
**OPXP.004 RS CP/SN**  
**Handle with Square Rose**  
 Material : Zinc Alloy  
 Finish : CP/SN



**OPXP.005 6" CP**  
**Handle on Plate-6"**  
 Material : Zinc Alloy  
 Finish : CP

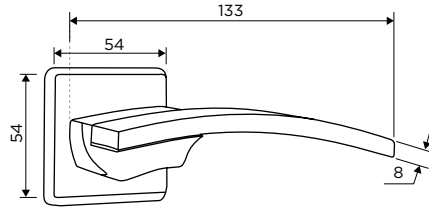


**OPXP.005 RS CP/SN**  
**Handle with Square Rose**  
 Material : Zinc Alloy  
 Finish : CP/SN

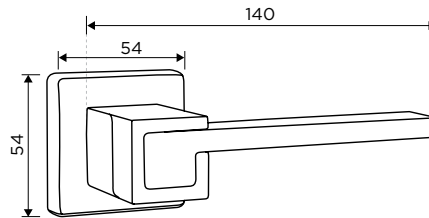


**PREMIUM SERIES - OPX**

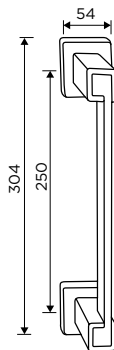
**OPX.001 RS CP/SN**  
 Handle with Square Rose  
 Material : Zinc Alloy  
 Finish : CP/SN



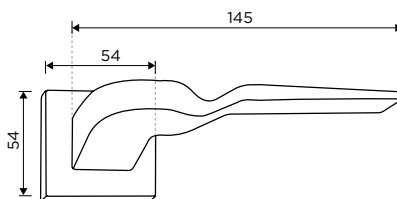
**OPX.002 RS CP/SN**  
 Handle with Square Rose  
 Material : Zinc Alloy  
 Finish : CP/SN



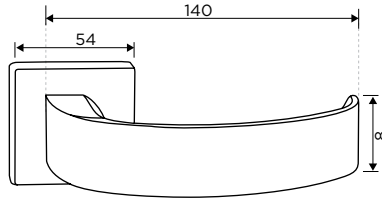
**OPX.002.PL 10" CP/SN**  
 Pull Handle-10"  
 Material : Zinc Alloy  
 Finish : CP/SN



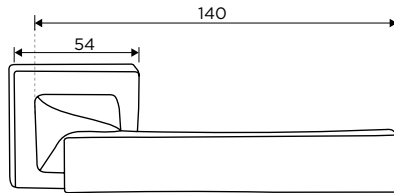
**OPX.003 RS CP/SN**  
 Handle with Square Rose  
 Material : Zinc Alloy  
 Finish : CP/SN



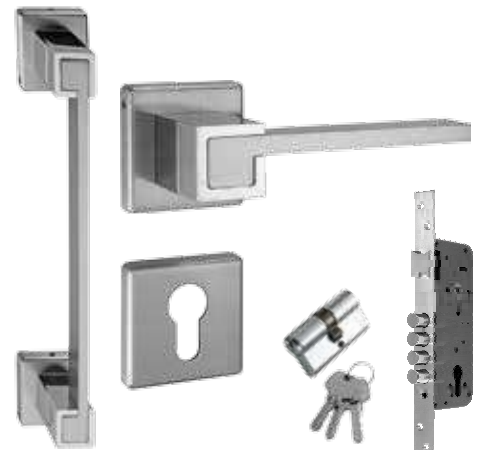
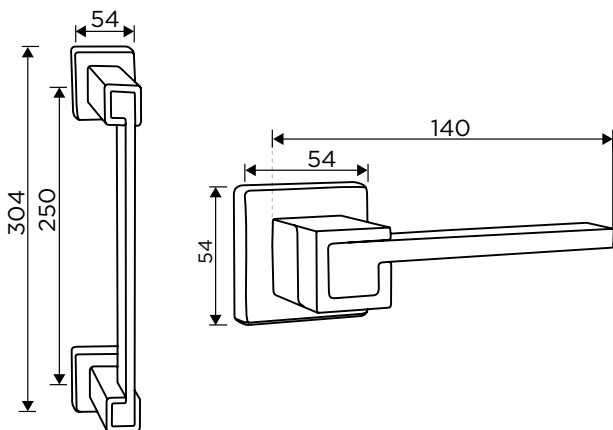
**OPX.004 RS SN**  
 Handle with Square Rose  
 Material : Zinc Alloy  
 Finish : SN



**OPX.005 RS SN**  
 Handle with Square Rose  
 Material : Zinc Alloy  
 Finish : SN



**OPX.002.K60 ME CP/SN**  
**OPX.002.N60 ME CP/SN**  
**OPX.002.K70 ME CP/SN**  
**OPX.002.N70 ME CP/SN**  
 Kit Includes: Pull Handle, Rose  
 Handle, Mortise Lock Body & Euro Profile  
 Cylinder  
 Material : Zinc Alloy | Finish : CP/SN





## LEVER HANDLES

WITH ROSE / PLATE & MORTISE LOCK SET

### CONTRACTOR PRO SERIES - OCXP

OCXP.001.K60 RS CP/SN

OCXP.001.N60 RS CP/SN

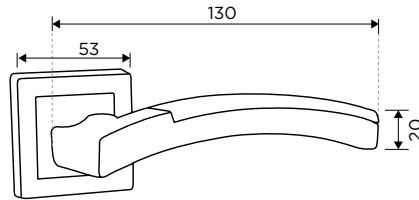
OCXP.001.K70 RS CP/SN

OCXP.001.N70 RS CP/SN

**Kit Includes: Handle set, Mortise Lock Body & Euro Profile Cylinder**

Material : Zinc Alloy

Finish : CP/SN



OCXP.001.K60 8" CP/SN

OCXP.001.N60 8" CP/SN

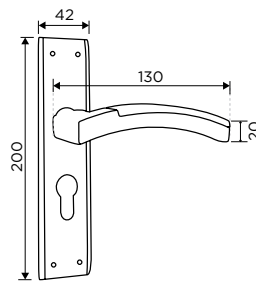
OCXP.001.K70 8" CP/SN

OCXP.001.N70 8" CP/SN

**Kit Includes: Handle set, Mortise Lock Body & Euro Profile Cylinder**

Material : Zinc Alloy

Finish : CP/SN



OCXP.001.K60 10" CP/SN

OCXP.001.N60 10" CP/SN

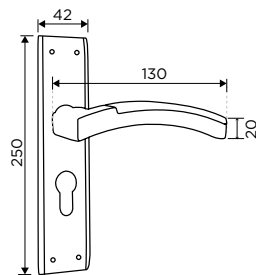
OCXP.001.K70 10" CP/SN

OCXP.001.N70 10" CP/SN

**Kit Includes: Handle set, Mortise Lock Body & Euro Profile Cylinder**

Material : Zinc Alloy

Finish : CP/SN



OCXP.002.K60 RS CP/SN

OCXP.002.N60 RS CP/SN

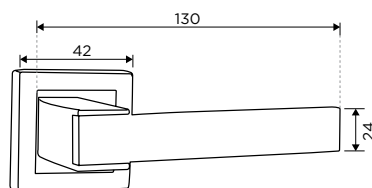
OCXP.002.K70 RS CP/SN

OCXP.002.N70 RS CP/SN

**Kit Includes: Handle set, Mortise Lock Body & Euro Profile Cylinder**

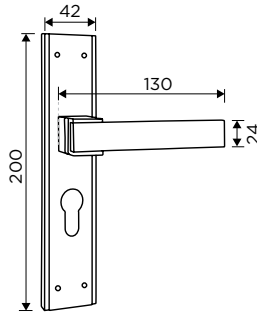
Material : Zinc Alloy

Finish : CP/SN



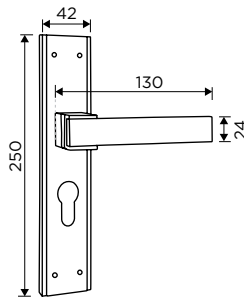
OCXP.002.K60 8" CP/SN  
OCXP.002.N60 8" CP/SN  
OCXP.002.K70 8" CP/SN  
OCXP.002.N70 8" CP/SN

**Kit Includes:** Handle set, Mortise  
Lock Body & Euro Profile Cylinder  
Material : Zinc Alloy  
Finish : CP/SN

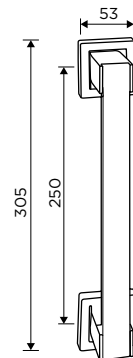


OCXP.002.K60 10" CP/SN  
OCXP.002.N60 10" CP/SN  
OCXP.002.K70 10" CP/SN  
OCXP.002.N70 10" CP/SN

**Kit Includes:** Handle set, Mortise  
Lock Body & Euro Profile Cylinder  
Material : Zinc Alloy  
Finish : CP/SN

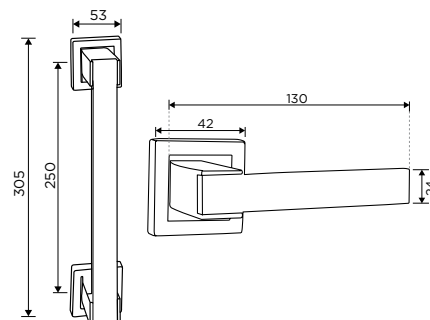


OCXP.002.PL 10" CP/SN  
Pull Handle 10"  
Material : Zinc Alloy  
Finish : CP/SN



OCXP.002.K60 ME CP/SN  
OCXP.002.N60 ME CP/SN  
OCXP.002.K70 ME CP/SN  
OCXP.002.N70 ME CP/SN

**Kit Includes:** Handle set, Mortise  
Lock Body & Euro Profile Cylinder  
Material : Zinc Alloy  
Finish : CP/SN



## LEVER HANDLES

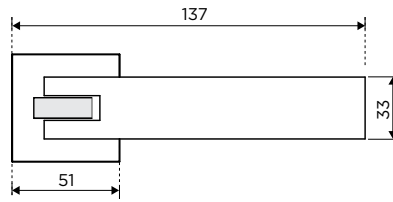
WITH ROSE / PLATE & MORTISE LOCK SET

OCXP.003.K60 RS CP/SN  
OCXP.003.N60 RS CP/SN  
OCXP.003.K70 RS CP/SN  
OCXP.003.N70 RS CP/SN

**Kit Includes:** Handle set, Mortise  
Lock Body & Euro Profile Cylinder

Material : Zinc Alloy

Finish : CP/SN



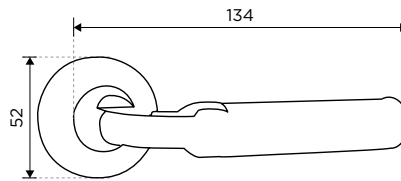
## CONTRACTOR SERIES - OCX

OCX.001.K60 RR CP/SN  
OCX.001.N60 RR CP/SN  
OCX.001.K70 RR CP/SN  
OCX.001.N70 RR CP/SN

**Kit Includes:** Handle set, Mortise  
Lock Body & Euro Profile Cylinder

Material : Stainless Steel

Finish : CP/SN

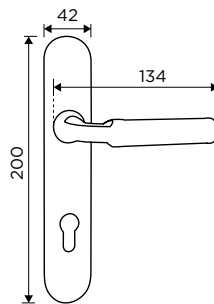


OCX.001.K60 8" CP/SN  
OCX.001.N60 8" CP/SN  
OCX.001.K70 8" CP/SN  
OCX.001.N70 8" CP/SN

**Kit Includes:** Handle set, Mortise  
Lock Body & Euro Profile Cylinder

Material : Stainless Steel & Zinc Alloy

Finish : CP/SN

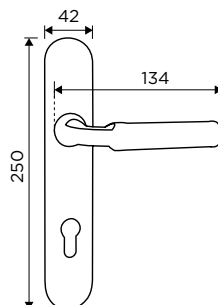


OCX.001.K60 10" CP/SN  
OCX.001.N60 10" CP/SN  
OCX.001.K70 10" CP/SN  
OCX.001.N70 10" CP/SN

**Kit Includes:** Handle set, Mortise  
Lock Body & Euro Profile Cylinder

Material : Stainless Steel & Zinc Alloy

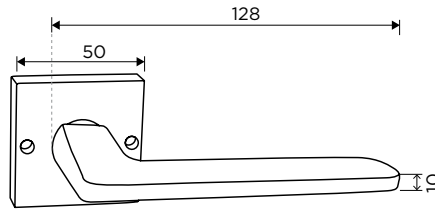
Finish : CP/SN



OCX.002.K60 RS SN  
OCX.002.N60 RS SN  
OCX.002.K70 RS SN  
OCX.002.N70 RS SN

**Kit Includes:** Handle set, Mortise  
Lock Body & Euro Profile Cylinder

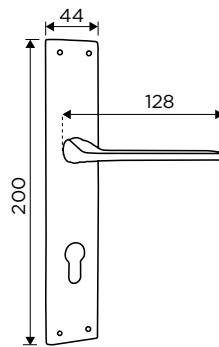
Material : Zinc Alloy  
Finish : SN



OCX.002.K60 8" SN  
OCX.002.N60 8" SN  
OCX.002.K70 8" SN  
OCX.002.N70 8" SN

**Kit Includes:** Handle set, Mortise  
Lock Body & Euro Profile Cylinder

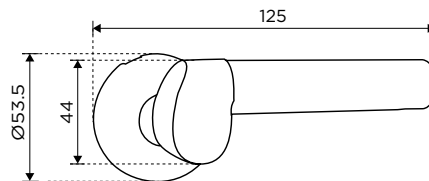
Material : Zinc Alloy  
Finish : SN



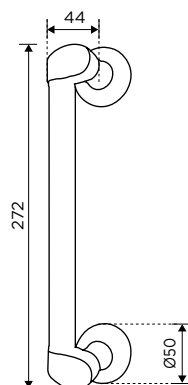
OCX.003.K60 RR PSS/SSS  
OCX.003.K70 RR PSS/SSS  
OCX.003.N60 RR PSS/SSS  
OCX.003.N70 RR PSS/SSS

**Kit Includes:** Handle set, Mortise  
Lock Body & Euro Profile Cylinder

Material : Zinc Alloy  
Finish : PSS/SSS



OCX.003.PL 10" PSS/SSS  
Pull Handle 10"  
Material : Stainless Steel  
Finish : PSS/SSS

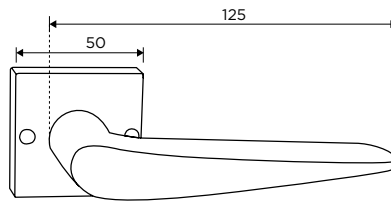


## LEVER HANDLES

WITH ROSE / PLATE & MORTISE LOCK SET

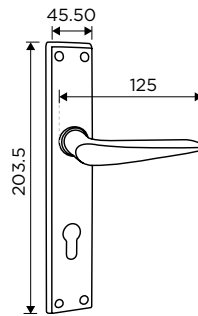
OCX.004.K60 RS SN  
OCX.004.N60 RS SN  
OCX.004.K70 RS SN  
OCX.004.N70 RS SN

**Kit Includes:** Handle set, Mortise  
Lock Body & Euro Profile Cylinder  
Material : Zinc Alloy  
Finish : SN



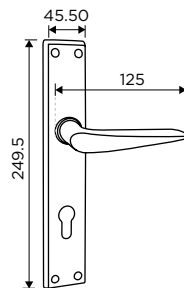
OCX.004.K60 8" SN  
OCX.004.N60 8" SN  
OCX.004.K70 8" SN  
OCX.004.N70 8" SN

**Kit Includes:** Handle set, Mortise  
Lock Body & Euro Profile Cylinder  
Material : Zinc Alloy  
Finish : SN



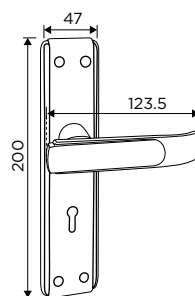
OCX.004.K60 10" SN  
OCX.004.N60 10" SN  
OCX.004.K70 10" SN  
OCX.004.N70 10" SN

**Kit Includes:** Handle set, Mortise  
Lock Body & Euro Profile Cylinder  
Material : Zinc Alloy  
Finish : CP/SN



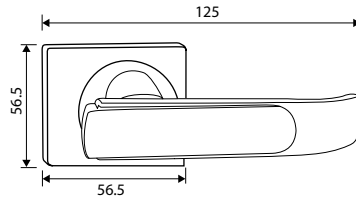
OCX.006.K60 8" CP/SN  
OCX.006.N60 8" CP/SN  
OCX.006.K70 8" CP/SN  
OCX.006.N70 8" CP/SN

**Kit Includes:** Handle set, Mortise  
Lock Body & Euro Profile Cylinder  
Material : Zinc Alloy  
Finish : CP/SN



OCX.006.K60 RS CP/SN  
OCX.006.N60 RS CP/SN  
OCX.006.K70 RS CP/SN  
OCX.006.N70 RS CP/SN

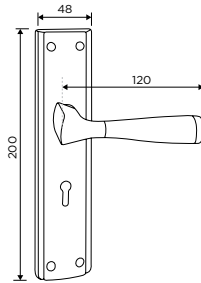
Kit Includes: Handle set, Mortise  
Lock Body & Euro Profile Cylinder  
Material : Zinc Alloy  
Finish : CP/SN



### CONTRACTOR KY SERIES

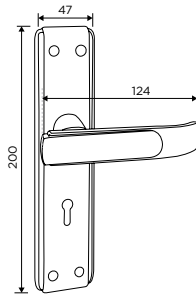
OCX.KY1.STD CP/SN

Kit Includes: Handle set, Mortise  
Lock Body & 6 Lever Key  
Material : Zinc Alloy  
Finish : CP/SN



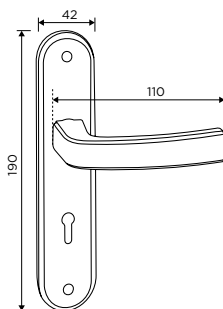
OCX.KY2.STD CP/SN

Kit Includes: Handle set, Mortise  
Lock Body & 6 Lever Key  
Material : Zinc Alloy  
Finish : CP/SN



OCX.KY3.STD CP/SN

Kit Includes: Handle set, Mortise  
Lock Body & 6 Lever Key  
Material : Zinc Alloy  
Finish : CP/SN



## LEVER HANDLES

WITH ROSE / PLATE & MORTISE LOCK SET

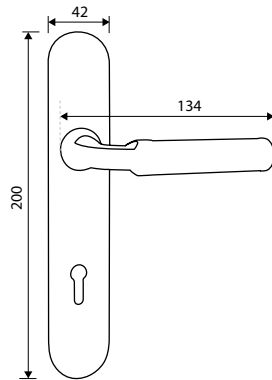
### OCX.KY4.STD CP/SN

Kit Includes: Handle set, Mortise

Lock Body & 6 Lever Key

Material : Zinc Alloy

Finish : CP/SN



## CONTRACTOR BT SERIES

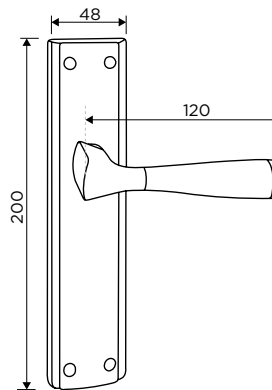
Suitable for Bathroom Doors

### OCX.BT1 STD CP/SN

Handle Set with Baby Latch

Material : Zinc Alloy

Finish : CP/SN

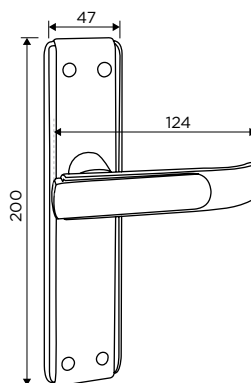


### OCX.BT2 STD CP/SN

Handle Set with Baby Latch Mate-

rial : Zinc Alloy

Finish : CP/SN

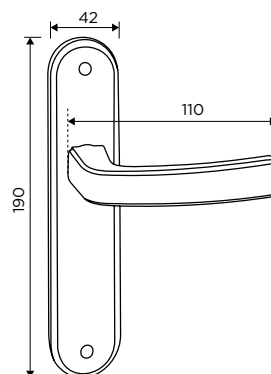


### OCX.BT3 STD CP/SN

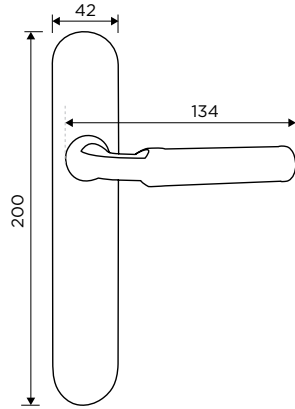
Handle Set with Baby Latch

Material : Zinc Alloy

Finish : CP/SN

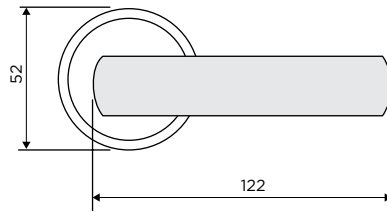


**OCX.BT4 STD CP/SN**  
Handle Set with Baby Latch  
Material : Zinc Alloy  
Finish : CP/SN

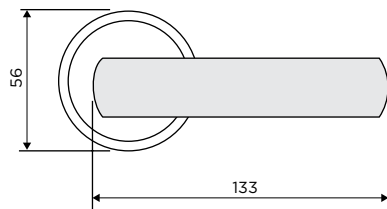


**INOX SERIES-OMH**

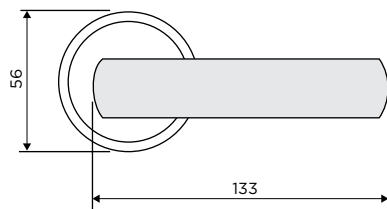
**OMH-11C (Solid Casted)**  
**Mortise Handle in SSS Finish**  
 Material : **Stainless Steel**  
 Grade : **304**  
 Finish : **SSS**



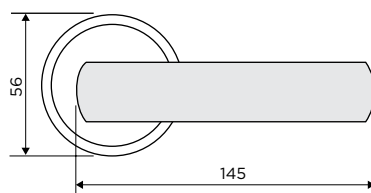
**OMH-22C (Solid Casted)**  
**Mortise Handle in SSS Finish**  
 Material : **Stainless Steel**  
 Grade : **304**  
 Finish : **SSS**



**OMH-33C (Solid Casted)**  
**Mortise Handle in SSS Finish**  
 Material : **Stainless Steel**  
 Grade : **304**  
 Finish : **SSS**

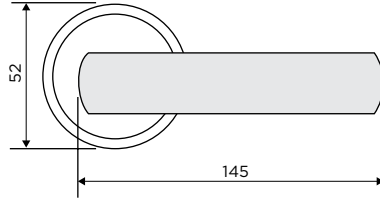


**OMH-44C (Solid Casted)**  
**Mortise Handle in SSS Finish**  
 Material : **Stainless Steel**  
 Grade : **304**  
 Finish : **SSS**

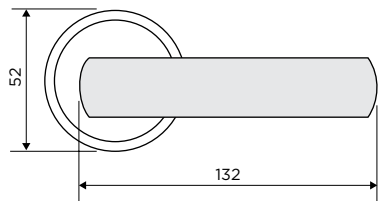


**TUBULAR MORTISE HANDLES**

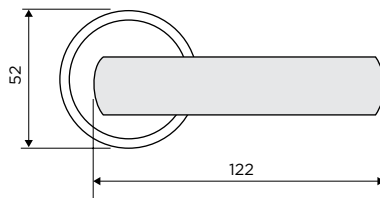
**OMH-11**  
Tubular Mortise Handle in SSS Finish  
Material : **Stainless Steel**  
Grade : **304**  
Finish : **SSS**



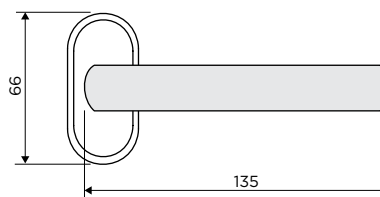
**OMH-11N**  
L-shape Mortise Handle  
in PSS/SSS Finish  
Material : **Stainless Steel**  
Grade : **304**  
Finish : **PSS/SSS**



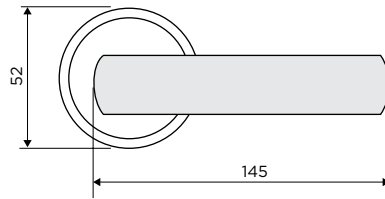
**OMH-11L**  
Mortise Handle in SSS Finish  
Material : **Stainless Steel**  
Grade : **304**  
Finish : **SSS**



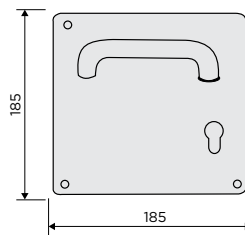
**OMH-11LN**  
Mortise Handle in SSS Finish  
for Narrow Style Doors  
Material : **Stainless Steel**  
Grade : **304**  
Finish : **SSS**



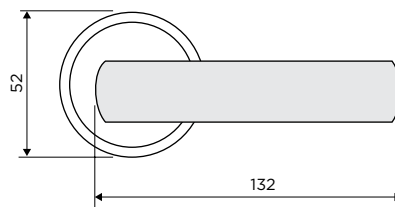
**OMH-33**  
**D-Type Mortise Handle**  
**in SSS Finish**  
 Material : **Stainless Steel**  
 Grade : **304**  
 Finish : **SSS**



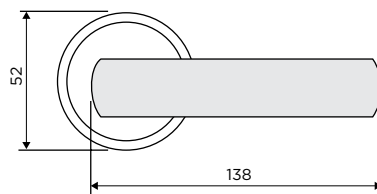
**OMH-33P**  
**D-Type Mortise Handles**  
**in SSS Finish with Plate**  
 Material : **Stainless Steel**  
 Grade : **304**  
 Finish : **SSS**



**OMH-44**  
**Mortise Handle in SSS Finish**  
 Material : **Stainless Steel**  
 Grade : **304**  
 Finish : **SSS**



**OMH-55**  
**Mortise Handle in SSS Finish**  
 Material : **Stainless Steel**  
 Grade : **304**  
 Finish : **SSS**



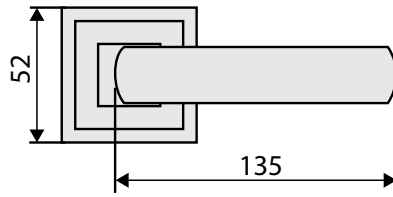
**OMH-SQ-22**

**Mortise Handle in SSS Finish**

Material : **Stainless Steel**

Grade : **304**

Finish : **SSS**



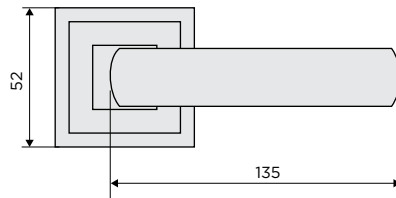
**OMH-SQ-33**

**Mortise Handle in SSS Finish**

Material : **Stainless Steel**

Grade : **304**

Finish : **SSS**



**OPKL-K2N-SSS**

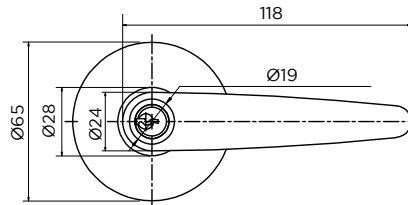
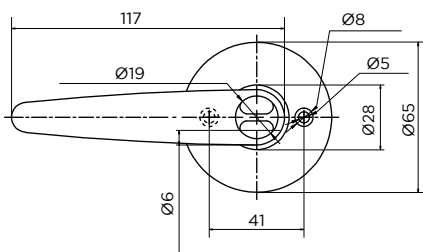
**Mortise Handle with**

**POD Lock in SSS Finish**

Material : **Stainless Steel**

Grade : **304**

Finish : **SSS**



**DOOR LOCKING SOLUTIONS  
AND ACCESSORIES**





**OML-11A-F 45/85**  
**OML-11A-F 55/72**  
Mortise Lock Body Fire Rated  
with Dead Lock & Latch Bolt



**OML-11A 45x85 STD**  
Closed Body Mortise Lock with Strike  
Plate, Double Throw Dead Bolt & Soft  
Closing Latch Bolt



**OML-33-F 55/72**  
Mortise Lock Body - Fire Rated with  
Dead Lock & Latch Bolt



**OML-11BT-N STD STD**  
Mortise Lock Body with Strike Plate  
Compatible to OIL-R & OIL-S (does  
not require lock cylinder)



**OZML-DL1 55MM SSS**  
Closed Body Mortise Lock with Strike  
Plate, Double Throw Dead Bolt



**OZML-DL1-F 55MM SSS**  
Close Body Mortise Lock with Strike  
Plate, Double Throw Dead Bolt





**OZML-L1-E-O 46.5MM SSS**  
Mortise Lock Body with Strike Plate  
Only Soft Closing Latch Bolt



**OML-11-E 50x50 SSS**  
Economy Close Body Mortise Lock  
with Dead Lock & Latch Bolt (This  
Lock Body to be Used Only with 8"  
Plate Handles)



**OML-11-E2 85x45 SSS**  
Economy Close Body Mortise  
Lock with Dead Lock & Latch Bolt



**OML-SL-STD SSS**  
Mortise Lock Body with  
Allen Key



**OML-33A 30x85**  
Narrow Style Lock Body for  
Aluminium Door with Latch &  
Double Throw Dead Bolt



**OML-DD-R 50x85**  
**OML-DD-L 50x85**  
Lock Body for Wooden Door  
with Latch Bolt, Dead Bolt-2 Turns



**DEFEND PRO SERIES**

Single Security Computerized Key System



**OMC-11-K2K-P-60/70/80**

Both Side Keys  
Finish: SN

(Also available master and grand master key)



**OMC-11-K2N-P-60/70/80**

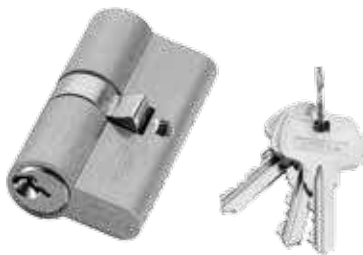
One Side Key One Side Knob  
Finish: SN



**OML-CPP STD**  
Cylinder Pull Plate  
Finish: SSS

**DEFEND SERIES - Normal Key**

(Also available master and grand master key)



**OMC-22-K2K-N2-60/70/80**

Both Side Keys  
Finish: SN



**OMC-22-HC-45MM**

Half Cylinder with 5 Brass Normal Keys  
Finish: SN



**OMC-22-K2N-N2-60/70/80**

One Side Key One Side Knob  
Finish: SN



**OMC-22-BT-N-60/70/80**

Bathroom Type  
Finish: SN



**NIGHT LATCH LOCKS**

Available against bulk orders only



**ONL-11**  
**ONL-11-K2N (Key to Knob)**  
Night Latch Lock for Wooden Doors



**ONL-33**  
Night Latch Lock for Wooden Doors



**ONL-22**  
Night Latch Lock for Wooden Doors

**CYLINDRICAL KNOB LOCKS**

(Available in 60MM & 70MM)



**OCKL-11-N STD SSS**  
Knob Lock with Key Operation  
& Push Button



**OCKL-22-N STD SSS**  
Knob Lock with Push Button &  
Coin Release



**OCKL-33-N STD SSS**  
Knob Lock with both side  
Active Knobs

**SS Butt Hinges with Four Ball Bearings\***

**SS-304**

\* With Fixing Screws



**OZ-SSBH 4x3x2.5**



**OZ-SSBH 4x3x3**



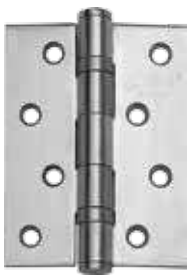
**OZ-SSBH 5x3x3**

**SS Butt Hinges with Two Ball Bearings\***

**SS-304**

**Fire Rated Butt Hinges with Two Ball Bearings\***

**SS-304**



**OZ-BH-2BB 4x3x2.5**



**OZ-BH-2BB 4x3x3**



**OZ-BH-2BB 5x3x3**



**OZ-BHF-2BB 4x3x3**

**SS Butt Hinges with & without Ball Bearings**

**SS-304**

**Economy Series without Ball Bearings**

**E Series SS-202**



**OZ-BH-NBB 4x2.5x2.5**



**OZ-BH-NBB 5x2.5x2.5**



**OZ-BH-NBB-E 3x2x1.3**



**OZ-BH-NBB-E 4x2.5x2.5**



**OZ-BH-NBB-E 5x2.5x2.5**

**Adjustable Concealed Hinges**

**for PRO JECTS**

\* Available against bulk orders only



**OZ-WD-ACH 40 LEFT/RIGHT**  
Triple Adjustable Wooden Door Hinge  
(for Door Wt.-40 Kg. with 2 Hinges)



**OZ-WD-ACH 60 LEFT/RIGHT**  
Triple Adjustable Wooden Door Hinge  
(for Door Wt.-60 Kg. with 2 Hinges)



**OZ-DG-B-11-E**  
Door Guard Buckle Type



**OZ-DG-B-11**  
Door Guard Buckle Type



**OZ-DG-22 SN**  
Door Chain



**OZ-DST-11 SN**  
Door Stopper



**OZ-DST-22 SN**  
Door Stopper



**OZ-WST-11 STD**  
Wall Mounted Door Stopper



**OZ-DST-33F-N STD SS**  
Door Stopper



**OZ-DST-44M**  
Door Stopper



**OZ-MC Std Std**  
Magnetic Door Catcher



**OWDS-11**  
Drop Down Seal



**OZ-DE-1 SSS**  
220° Door Viewer



**OZ-DE-1-E**  
200° Door Viewer



**OZ-CFB-DP 300MM**  
Concealed Flush Bolt

ESCUTCHEON WITH **KNOBS**



**OML-LR**  
Round Escutcheon



**OML-N-LR**  
Narrow Escutcheon



**OIL-R**  
Escutcheon with knob & occupied indicator



**OIL-S**  
Escutcheon with knob & occupied indicator

**ALDROP**

for PRO JECTS



Available against bulk orders only **SS 304**

- OZ-ALD-01 (16x200mm)
- OZ-ALD-02 (16x250mm)
- OZ-ALD-03 (16x300mm)

**E** Series



OZ-ALD-11E 16\*300mm PSS/SSS

**TOWER BOLTS**

OZ-TB-S 18" & 24" available on request only  
 OZ-TB-SE 18" & 24" available on request only

**SQUARE TYPE** Also available in PSS/SSS finish with SS 304 Grade



**Standard Size**

| <b>E</b> Series |               |
|-----------------|---------------|
| Grade: SS 304   | Grade: SS 202 |
| OZ-TB-S 12"     | OZ-TB-SE 12"  |
| OZ-TB-S 10"     | OZ-TB-SE 10"  |
| OZ-TB-S 8"      | OZ-TB-SE 8"   |
| OZ-TB-S 6"      | OZ-TB-SE 6"   |
| OZ-TB-S 4"      | OZ-TB-SE 4"   |
| Finish: PSS/SSS | Finish: SSS   |



| SS 304-SSS        |
|-------------------|
| OZ-TB-S11 12" SSS |
| OZ-TB-S11 10" SSS |
| OZ-TB-S11 8" SSS  |
| OZ-TB-S11 6" SSS  |
| OZ-TB-S11 4" SSS  |



**FIRE RATED PANIC (EXIT) DOOR  
HARDWARE & ACCESSORIES**

1 Point Modular

**Push Panic Bar for Single Door**

**OZ-PB-TCR-F-842mm SSS**  
Max Door Width : Upto 1100

**OZ-PB-TCR-F-1020mm SSS**  
Max Door Width : Upto 1400



**Features :**

- Push bar for fire and smoke check doors
- Stainless steel latch and security anti-thrust latch
- Certified as per UL 10C 1-3 HOURS FIRE RATED
  - For Hollow Metal Door: 3 Hours Fire Rated
  - For Wooden Door: 1.5 Hours Fire Rated

**Accessories**



**OZ-PB-TCTRIM-F-STD SSS**  
External Trim



**OZ-PBV-DLS-Std**  
Overlapping Cover  
Strike Plate

2 Point Modular

**Push Panic Bar for Double Door**

**OZ-PB-TCR-F-842mm SSS**  
Max Door Width : 1100/2400

**OZ-PB-TCR-F-1020mm SSS**  
Max Door Width : 1400/2400



Fire Rated **Cross Push Panic Bar**



**OZ-PB-CRR-F-900mm Silver**  
Max Door Width : Upto 1200  
Door Height 2300mm

**Features :**

- Cross bar for fire and smoke check doors
- **3 hours fire certified**
- Suitable for door Thickness 40-60mm
- Panic Width :-900mm
- Compatible with external trim  
OZ-PB- CRTRIM-F-STD Silver

**Accessory**



**OZ-PB-CRV-F-900mm Silver**  
Max Door Width : Upto 1200

Fire Rated **Cross Panic Bar**



**OZ-PB-CRV-F-900mm Silver**

Max Door Width : Upto 1200  
Door Height 2300mm

**Features :**

- Cross bar for fire and smoke check doors
- **3 hour fire certified**
- Suitable for door Thickness 40-60mm
- Panic Width :-900mm
- Compatible with external trim  
OZ-PB- CRTRIM-F-STD Silver

**Accessory**



**OZ-PB-CRV-F-900mm Silver**

Max Door Width : Upto 1200

**Features :**

- Rectangular External Trim with lever handle for fire and smoke check doors
- 3 hour fire certified
- EN-1634-1:2008
- Max Door Thickness:-75mm
- Aluminum material grade
- Powder Coated finish
- Solid Square Spindle
- Master Key available on request Replaceable EP Cylinder with one side key operation
- Ideal for emergency exit of metal / Wooden single / double door

**Accessory**



**OZ-PB-CRTRIM-F-STD Silver**

External Trim

**FIRE-RATED GRAVITY DOOR COORDINATOR**

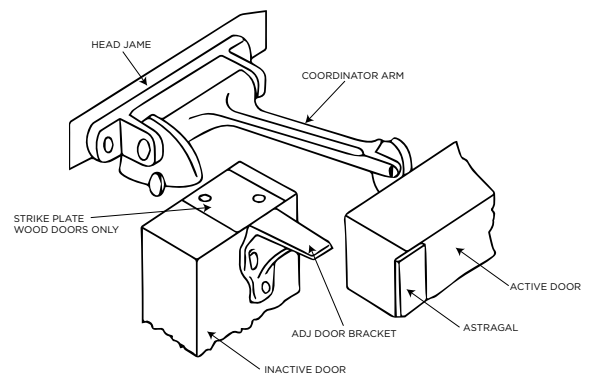


**OZ-GDC-F-STD SILVER**

For sequencing door closing action

**Features**

- Sequences the Door Closing i.e. roller arm stops active door from closing before the inactive door
- Gravity action arm and door bracket are adjustable on the jamb for ease of installation
- Nylon roller to enable the inactive door to easily operate



**Specifications**

- Device : Non-handed & reversible
- Projection : 6-1/2"
- Material : Forged brass with nylon roller
- Finish : Satin chrome



-----  
**DOOR CLOSING DEVICES**

- FLOOR SPRING
  - HYDRAULIC BOTTOM PATCH
- 



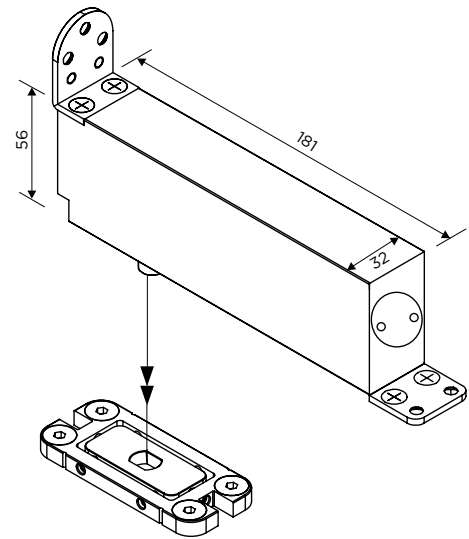
**OCFH-W-100, Hydraulic Bottom Patch**  
For Wooden Doors



**Specifications**

**Compliant with EN 1154**

- Quick and easy installation
- Suitable door weight: Max 100kg
- Suitable door width: 750-1000mm
- Suitable door thickness:  $\geq 40$
- Angle of opening:  $150^\circ$
- Smooth soft movement
- Low installation cost & time
- Hold open standard: Hold open at  $90^\circ$
- Grade: SS 304 grade, Finish: SSS
- Tested as per : EN 1154



**EN CLASSIFICATION**

|   |   |   |      |   |   |
|---|---|---|------|---|---|
| 3 | 8 | 3 | 1/0* | 1 | 3 |
|---|---|---|------|---|---|

**Closing Speed Control**

The Hydraulic Patch has two controlled closing ranges:

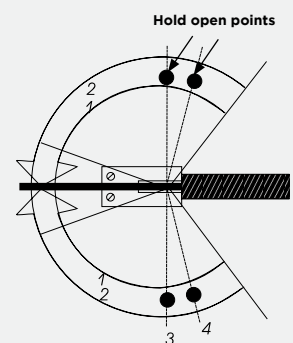
Valve 1 : Adjusts closing speed between  $10^\circ$  &  $0^\circ$

Valve 2 : Adjusts closing speed between  $130^\circ$  &  $10^\circ$

**Construction & Technical Details**

- One unit for both single & double action door where surface mounted closer cannot be fitted.
- High grade cast iron mechanism body is housed within a galvanized steel loose box which is zinc protected & painted for corrosion resistance.
- Internal mechanism components utilising heat treated high alloy steels & ball bearing for optimum efficiency.
- Suitable for wood, metal & tempered glass doors.
- Built-in pressure relief valve protects the closer from rough use. Closer mechanism totally immersed in hydraulic fluid.

\* Available in fire rated / Non fire rated version

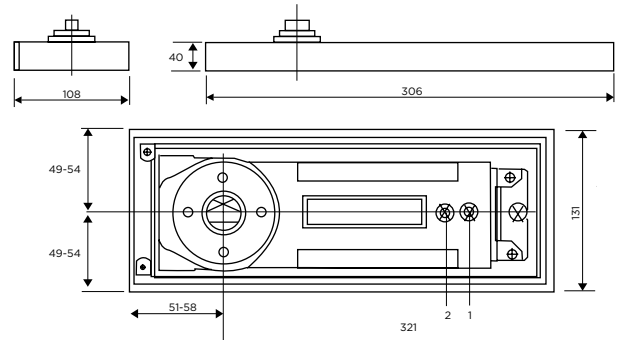


**FS-8400-S, Cam Action Floor Spring with Closing Force EN3**  
 Double Cylinder with **Stronger Spring Inside**



**Specifications**

- Super Spring (stronger spring inside)
- Maximum door weight 80 Kg
- Maximum door width 950mm
- Closing speed : 130-10°
- Final closing speed : 10-0°
- Hold Open (standard): 90° hold open
- Weight of floor spring approx : 6kg
- Installation dimension: Length-306mm, Width-108mm, Height-40mm
- Tested to : 10,00,000 cycles
- Tested as per : EN 1154



EN 1154 Tested

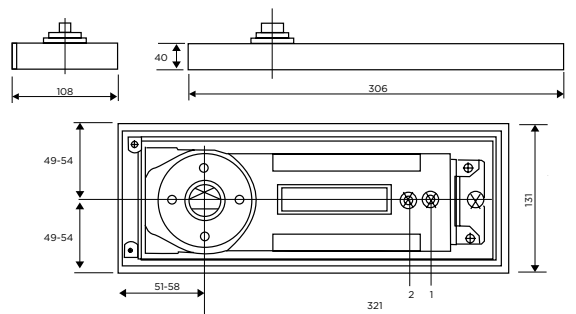


**FS-8400, Cam Action Floor Spring with Closing Force EN3**  
 Double Cylinder (Heavy Duty)



**Specifications**

- Maximum door weight 80Kg.
- Maximum door width 950mm
- Closing speed : 130-10°
- Final closing speed : 10-0°
- Hold Open (standard): 90° hold open
- Weight of floor spring approx : 6kg
- Installation dimension: Length-306mm, Width-108mm, Height-40mm
- Tested to : 5,00,000 cycles
- Tested as per : EN 1154
- CE certified : Yes 3 8 3 1 1 3



EN 1154 Tested

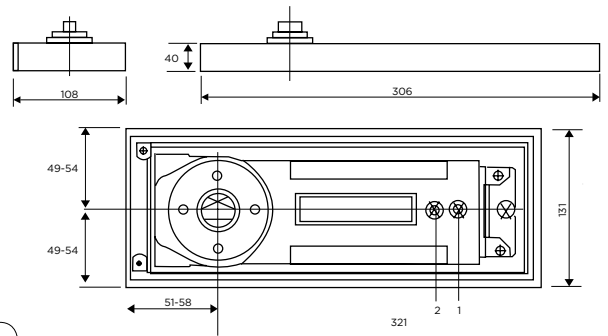


**FS-9000, Cam Action Floor Spring with Closing Force EN4**  
Double Cylinder (Heavy Duty)



**Specifications**

- Maximum door weight 120Kgs.
- Maximum door width 1100mm
- Closing speed : 130-10°
- Final closing speed : 10-0°
- Hold Open (standard): 90° hold open
- Weight of floor spring approx : 6kg
- Installation dimension: Length-306mm, Width-108mm, Height-40mm
- Tested to : 5,00,000 cycles
- Tested as per : EN 1154



Max Door Weight Capacity



Tested 5,00,000 Cycles

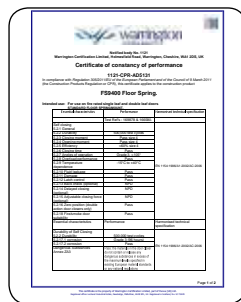


EN 1154 Tested



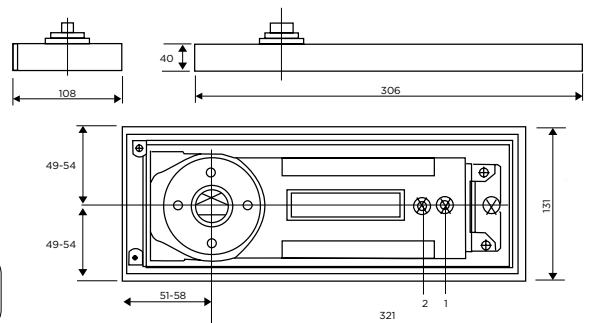
Also available in “without hold open” function. Suitable for restaurants & ATM doors

**FS-9400, Cam Action Floor Spring with Closing Force EN4**  
Double Cylinder (Heavy Duty)



**Specifications**

- Maximum door weight 150Kgs.
- Maximum door width 1100mm
- Closing speed : 130-10°
- Final closing speed : 10-0°
- Hold Open (standard): 90° hold open
- Weight of floor spring approx : 6kg
- Installation dimension: Length-306mm, Width-108mm, Height-40mm
- Tested to : 5,00,000 cycles
- Tested as per : EN 1154
- CE certified : Yes 3 8 4 1 1 3



Max Door Weight Capacity



Tested 5,00,000 Cycles



EN 1154 Tested

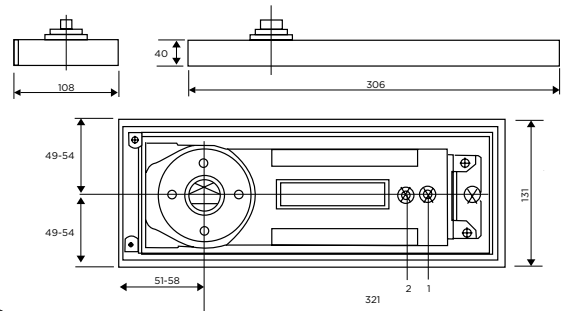


**FS-10400, Cam Action Floor Spring with Closing Force EN4**  
Double Cylinder (Heavy Duty)



**Specifications**

- Maximum door weight 270Kg.
- Maximum door width 1250mm
- Closing speed : 130-10°
- Final closing speed : 10-0°
- Hold Open (standard): 90° hold open
- Weight of floor spring approx : 6kg
- Installation dimension: Length-306mm, Width-108mm, Height-40mm
- Tested to : 5,00,000 cycles
- Tested as per : EN 1154



Max Door Weight Capacity



Tested 5,00,000 Cycles



EN 1154 Tested



Also available in “without hold open” function. Suitable for restaurants & ATM doors

**FS-11400, Single Cylinder Floor Spring for Heavy Wooden / Glass Doors**  
Ideal for Banquet Halls  
Power Adjustable



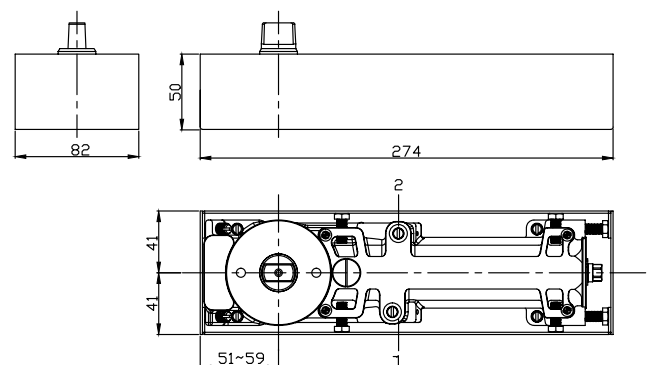
3D View



Max Door Weight Capacity

**Specifications**

- Power adjustable by springs
- Maximum door weight 65kg.-200Kg.
- Maximum door width 1100mm
- Closing speed : 130-10°
- Final closing speed : 10-0°
- Hold Open (standard) : Without Hold Open
- Weight of floor spring approx : 6kg
- Installation dimension : Length-274mm, Width-82mm, Height-50mm



**OFS-5800 SD STD STD**, Single Cylinder Floor Spring for Small Glass Doors

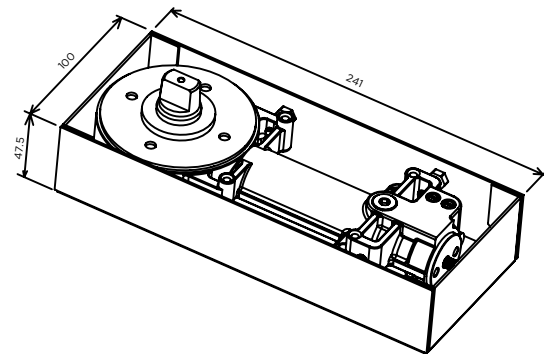
Set includes: Floor Spring, Top Patch & Bottom Patch



\*Patch fittings will not be sold individually.

**Specifications**

- Maximum door weight 55Kgs.
- Maximum door width 1100mm
- Closing speed : 130-10°
- Final closing speed : 10-0°
- Hold Open (standard): 90° hold open
- Weight of floor spring approx : 6kg
- Installation dimension: Length-306mm, Width-108mm, Height-40mm
- Tested to : 5,00,000 cycles
- Tested as per : EN 1154



Max Door Weight Capacity

**OFH-5500E-TPBPE1 STD STD**, Single Cylinder Floor Spring for Wood/ Aluminium/ Framed Doors

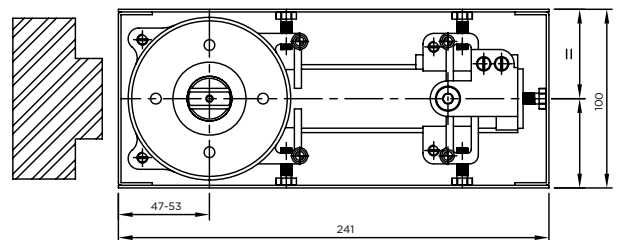
Single Cylinder (Heavy Duty)

Set Includes: Floor Spring, Top & bottom Pivot



**Specifications**

- Maximum door weight 45Kg.
- Maximum door width 950mm
- Closing speed : 130-10°
- Final closing speed : 10-0°
- Hold Open (standard): 90° hold open
- Weight of floor spring approx : 6kg
- Installation dimension: Length-306mm, Width-108mm, Height-40mm
- Tested to : 5,00,000 cycles
- Tested as per : EN 1154



**Accessories**




Max Door Weight Capacity

**OFH-6600-E**, Single Cylinder Floor Spring for Wood/ Aluminium/ Glass Doors

**E** Series

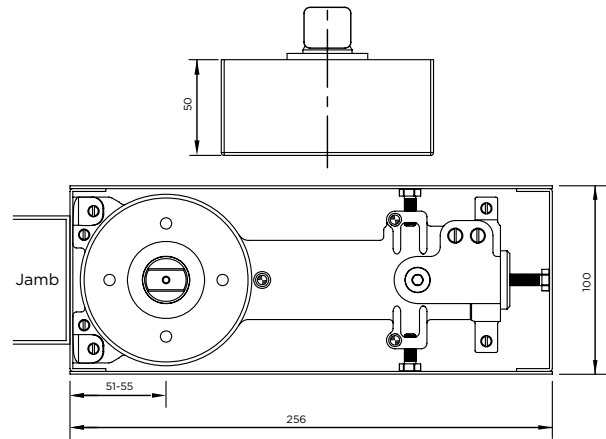


with up & down Adjustment 

**85 Kg**  
  
Max Door Weight Capacity

**Specifications**

- Maximum door weight 85Kgs.
- Maximum door width 1100mm
- Closing speed : 130-10°
- Final closing speed : 10-0°
- Hold Open (standard): 90° hold open
- Weight of floor spring approx : 6kg
- Installation dimension: Length-256mm, Width-100mm, Height-50mm
- Tested to : 5,00,000 cycles
- Tested as per : EN 1154



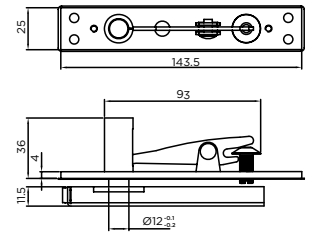
**OFS-ACC-TPBPE1**

Top & Bottom Pivot for Wooden / Aluminium Door



**Specifications**

- Top Pivot Set
- Accessories for Wooden/Aluminium Door
- 2 pcs. Pivot Set



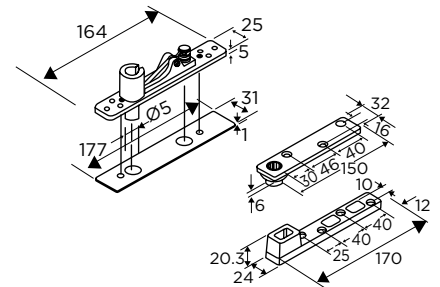
**OFS-ACC-TP/BP**

Top Pivot for Wooden / Aluminium Door



**Specifications**

- Top Pivot Set
- Accessories for Wooden/Aluminium Door
- 2 pcs. Pivot Set



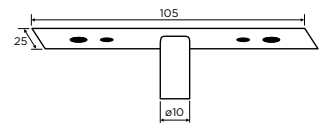
**OFS-ACC-GDP**

Top Pivot for Patch / Point Fitting Doors



**Specifications**

- Top pivot with 15mm diameter pin
- Wear resistant SS 304 pivot pin
- Pivot held in overhead structure
- Finish SSS



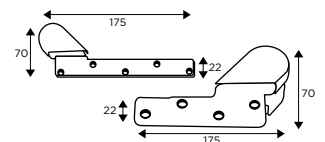
**OFS-ACC-OP-L/R**

Offset Pivot Set for Wooden / Aluminium Doors



**Specifications**

- Offset Pivot Set
- Used of wide opening of door
- Accessories for Wooden/Aluminium Door



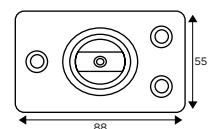
**OFS-ACC-MH-1**

Mini Floor Hinge Compatible with Patch Fittings



**Specifications**

- Mini Floor Hinge
- Suitable for OPF-3, OPPF-3 & OCPF-3
- 360° smooth door movement



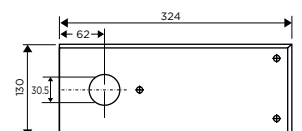
**OFS-ACC-CPL-SS**

SS Plate for Floor Spring



**Specifications**

- Floor Spring Cover Plate SS
- SS 304 grade
- Finish: SSS



(also available in golden finish)

**OTC-7400, Transom Mounted Door Closer**

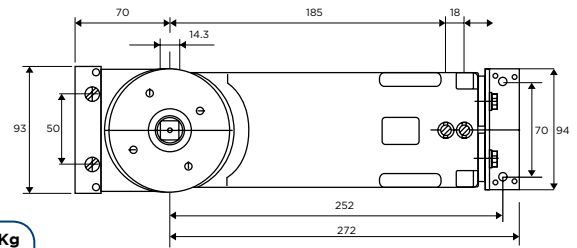


**Specifications**  
**Cam action transom door closer with closing force EN 2**

- Maximum opening angle 130° both sides
- Maximum door weight 70Kg.
- Maximum door width 850mm
- Suitable for framed door



Max Door Weight Capacity



**OTC-8400, Transom Mounted Door Closer**

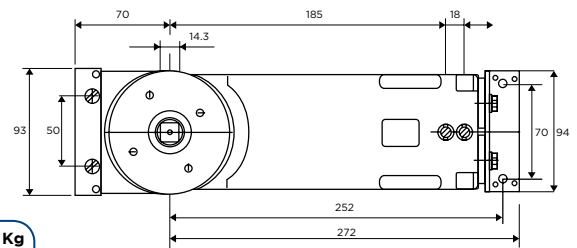


**Specifications**  
**Cam action transom door closer with closing force EN 3**

- Maximum opening angle 130° both sides
- Maximum door weight 105Kg.
- Maximum door width 950mm
- Suitable for framed door



Max Door Weight Capacity



**ACCESSORIES** for Transom Mounted Closer (Part of Standard Package)



Bottom Pivot with Bearing



Mounting Bracket for Transom Closer at Spindle Side



Mounting Bracket for Transom Closer at the end



Arm to accept Transom Closer Spindle to be mounted into the channel on door top & secure with blanking tape



A dark wood door with a silver door closer and handle. The door is set in a white wall. The door closer is mounted at the top, and the handle is on the left side. The text "DOOR CLOSING DEVICES" and "• DOOR CLOSERS" is centered on the door.

**DOOR CLOSING DEVICES**  
• DOOR CLOSERS

**NSK-640-E, OVERHEAD DOOR (SCISSOR ARM)**

**E** Series



**Specifications**

**Rack and Pinion Overhead Door Closer with Adjustable closing force EN 3**

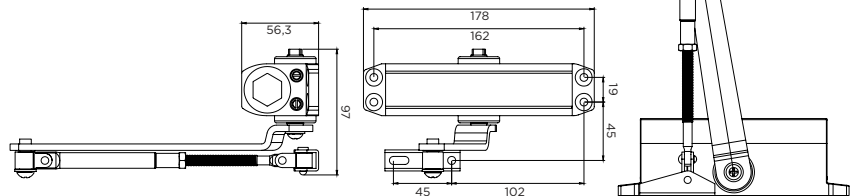
- Easy opening action
- Adjustable closing speed in two independent ranges
- Non handed design
- With standard scissor arm
- Maximum door weight-60kg.
- Maximum door width-950mm
- Can be mounted to door leaf and transom
- Finish: Silver



**Max Door Weight Capacity**



**Tested 5,00,000 Cycles**



Power Size Adjustable



Adjustable Closing Speed



Adjustable Latching Speed



Force Resistant



Corrosion Resistant

**NSK-580-E, OVERHEAD DOOR CLOSER (SCISSOR ARM)**

**E** Series



**Specifications**

**Rack and Pinion Overhead Door Closer with Adjustable closing force EN 1/2**

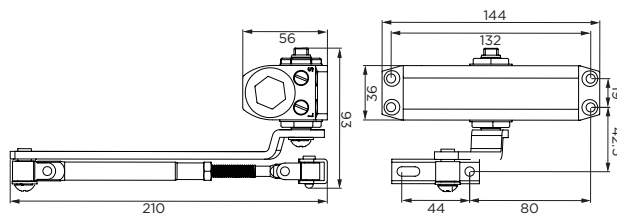
- Easy opening action
- Adjustable closing speed in two independent ranges
- Non handed design
- With standard scissor arm
- Maximum door weight-45kg.
- Maximum door width-950mm
- Can be mounted to door leaf and transom
- Finish: Silver



**Max Door Weight Capacity**



**Tested 5,00,000 Cycles**



Power Size Adjustable



Adjustable Closing Speed



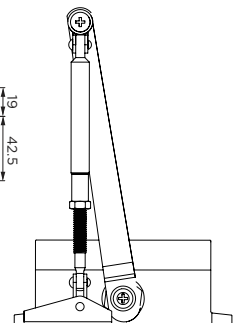
Adjustable Latching Speed



Force Resistant



Corrosion Resistant



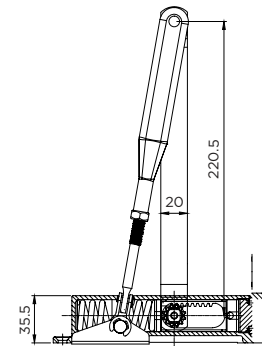
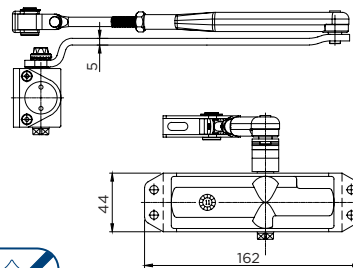
**NSK-580-11, OVERHEAD DOOR CLOSER (SCISSOR ARM)**



**Specifications**

**Rack and Pinion Overhead Door Closer with Adjustable closing force EN 1/2**

- Easy opening action
- Adjustable closing speed in two independent ranges
- Non handed design
- With standard scissor arm
- Maximum door weight-60kg.
- Maximum door width-950mm
- Can be mounted to door leaf and transom
- Finish: Silver



Power Size Adjustable



Adjustable Closing Speed



Adjustable Latching Speed



Force Resistant



Corrosion Resistant

**NSK-680, OVERHEAD DOOR CLOSER (SCISSOR ARM)**



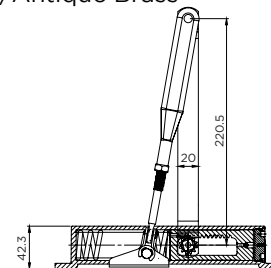
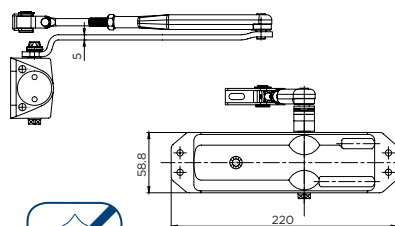
**Specifications**

**Rack and Pinion Overhead Door Closer with Adjustable closing force EN 2-4**

- Easy opening action
- Adjustable closing speed in two independent ranges
- Non handed design
- With track arm
- Maximum door weight-80kg.
- Maximum door width-950mm
- Fire tested and certified by Warrington APT Laboratories, UK
- Test certificate available on request
- Can be mounted to door leaf and transom
- Finish: Silver/Gold/Brown/Antique Brass



EN 1154 Tested



Power Size Adjustable



Adjustable Closing Speed



Adjustable Latching Speed



Force Resistant



Corrosion Resistant

**NSK-680-A, OVERHEAD DOOR CLOSER (SCISSOR ARM)**

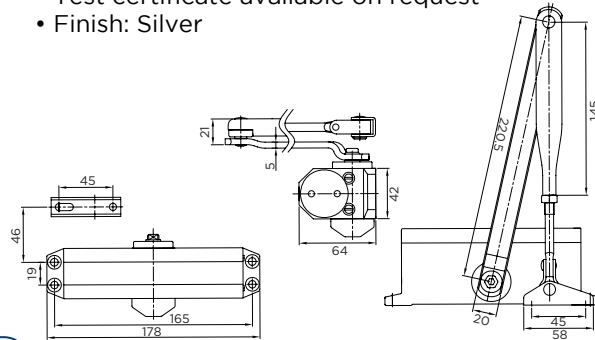
**Power Adjustable**



**Specifications**

**Rack and Pinion Door Closer with Adjustable closing force EN 2-4**

- Easy opening action
- Adjustable closing speed in two independent ranges
- Non handed design
- Maximum door weight-80kg.
- Maximum door width-1100mm
- Fire tested and certified by Warrington APT Laboratories, UK
- Can be mounted to door leaf and transom
- Test certificate available on request
- Finish: Silver



Power Size Adjustable



Adjustable Closing Speed



Adjustable Latching Speed



Force Resistant



Corrosion Resistant



Max Door Weight Capacity



**EN 1154 Tested**



Tested 5,00,000 Cycles



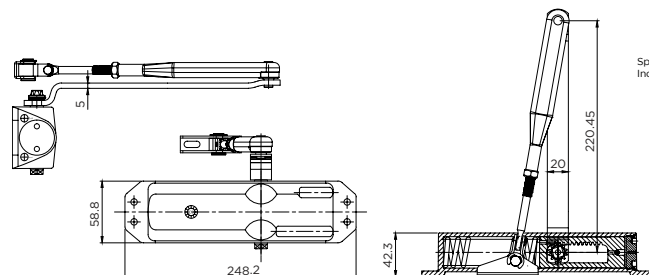
**NSK-6825, OVERHEAD DOOR CLOSER (SCISSOR ARM)**



**Specifications**

**Rack and Pinion Door Closer with Selectable closing force EN 3-4**

- Fully hydraulically controlled closing speed in two independent ranges (120°-15° and 15°-0°)
- Power adjustable by spring
- Non handed design
- With standard arm
- Maximum door weight-100Kg
- Maximum door width-1250mm
- Maximum angle of opening-120°
- Finish: Silver



Power Size Adjustable



Adjustable Closing Speed



Adjustable Latching Speed



Force Resistant



Corrosion Resistant



Max Door Weight Capacity



**EN 1154 Tested**



Tested 5,00,000 Cycles



**NSK-780, OVERHEAD DOOR CLOSER (SCISSOR ARM)**



**Specifications**

**Rack & Pinion Door Closer with Adjustable closing force EN 2-5**

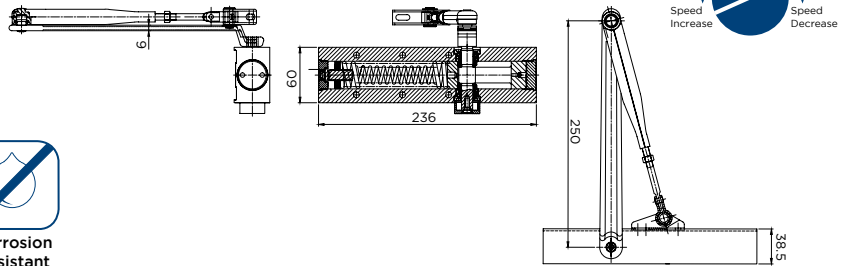
- Easy opening action
- Adjustable closing speed in two independent ranges (120°-15° and 15°-0°)
- Non handed design
- With track arm
- Adjustable back check
- Tested to EN 1154
- Maximum door weight - upto 100Kg.
- Maximum door width-1250mm
- Fire tested and certified by Warrington APT Laboratories, UK
- Test certificate available on request
- Can be mounted to door leaf and transom
- Finish: Silver

100 Kg  
Max Door Weight Capacity

fire rated

EN 1154 Tested

Tested 5,00,000 Cycles



Power Size Adjustable

Adjustable Closing Speed

Adjustable Latching Speed

Force Resistant

Corrosion Resistant



**NSK-836, OVERHEAD DOOR CLOSER (SCISSOR ARM)**



**Specifications**

**Rack and Pinion Door Closer with Adjustable closing force EN 3-6**

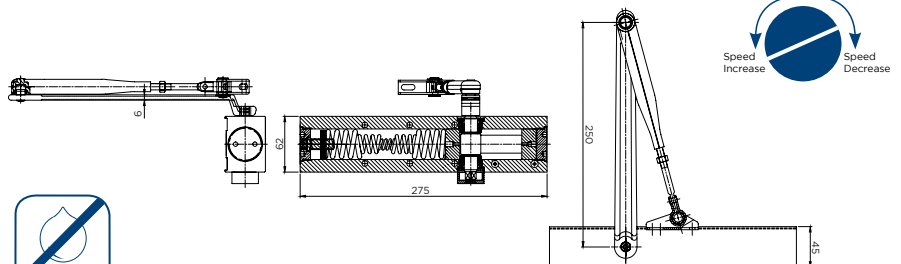
- Fully hydraulically controlled adjustable closing speed in two independent ranges (120°-15° and 15°-0°)
- Non handed design
- With standard arm
- Adjustable back check
- Adjustable delayed action (optional)
- Maximum door weight - upto 120Kg.
- Maximum door width-1500mm
- Fire tested and certified by Warrington APT Laboratories, UK
- Test certificate available on request
- Finish: Silver

120 Kg  
Max Door Weight Capacity

fire rated

EN 1154 Tested

Tested 5,00,000 Cycles



Power Size Adjustable

Adjustable Closing Speed

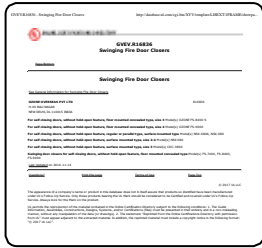
Adjustable Latching Speed

Force Resistant

Corrosion Resistant



**NSK-980, OVERHEAD DOOR CLOSER (TRACK ARM)**



**Specifications**

**Rack and Pinion Door Closer with Adjustable closing force EN 2-4**

- Fully hydraulically controlled adjustable closing speed in two independent ranges (120°-15° and 15°-0°)
- Non handed design
- With track arm (SS finish)
- Self regulating back check
- Maximum door weight-80Kg
- Maximum door width-1100mm
- Fire tested and certified by Warrington APT Laboratories, UK
- Test certificate available on request
- Finish: Silver

**80 Kg**  
Max Door Weight Capacity

UL

Tested 5,00,000 Cycles

Speed Increase Speed Decrease

Power Size Adjustable

Adjustable Closing Speed

Adjustable Latching Speed

Force Resistant

Corrosion Resistant

**NSK-980 E, OVERHEAD DOOR CLOSER (TRACK ARM)**



**Specifications**

**Rack and Pinion Door Closer with Adjustable closing force EN 2-4**

- Fully hydraulically controlled adjustable closing speed in two independent ranges (120°-15° and 15°-0°)
- Non handed design
- With track arm (SS finish)
- Self regulating back check
- Maximum door weight-80Kg
- Maximum door width-1100mm
- Fire tested and certified by Warrington APT Laboratories, UK
- Test certificate available on request
- Finish: Silver

**80 Kg**  
Max Door Weight Capacity

UL

Tested 5,00,000 Cycles

Speed Increase Speed Decrease

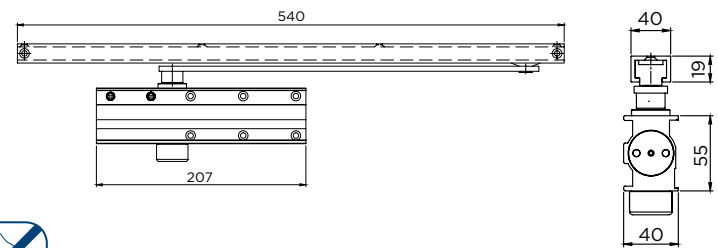
Power Size Adjustable

Adjustable Closing Speed

Adjustable Latching Speed

Force Resistant

Corrosion Resistant



**NSK-CA-6800.TA, CAM ACTION CONCEALED DOOR CLOSER (TRACK ARM)**

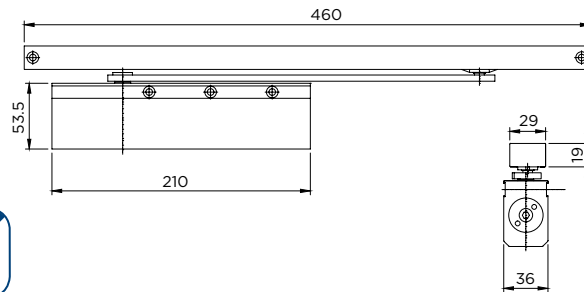


**Specifications**

**Overhead Cam Action Door Closer with adjustable closing force EN 2-4**

- Easy opening action
- Power adjustable
- Adjustable closing speed in two independent ranges
- Non handed design
- With track arm
- Maximum door weight-upto 80kg.
- Maximum door width-1100mm
- Fire tested and certified by Warrington APT Laboratories. UK
- Test certificate available on request
- Can be mounted to door leaf and transom
- Finish: Silver

**• Power Adjustable**



Power Size Adjustable



Adjustable Closing Speed



Adjustable Latching Speed



Force Resistant



Corrosion Resistant



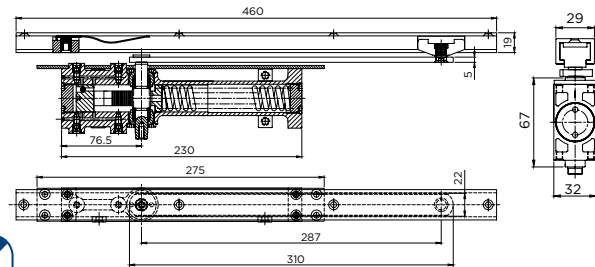
**CDC-3800, CONCEALED DOOR CLOSER**



**Specifications**

**Concealed Rack & Pinion Door Closer with EN 3**

- Fully hydraulically controlled adjustable closing speed in two independent ranges
- Non handed design
- With track arm
- Maximum door weight-60Kg.
- Maximum door width-950mm
- Minimum door thickness for installation-35mm
- Fire tested and certified by Warrington APT Laboratories, UK
- Test certificate available on request
- Finish: Silver



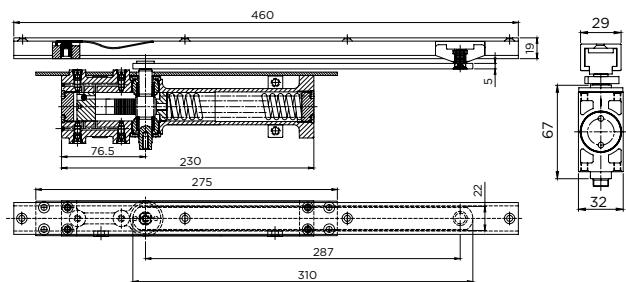
**CDC-3800 E, CONCEALED DOOR CLOSER**



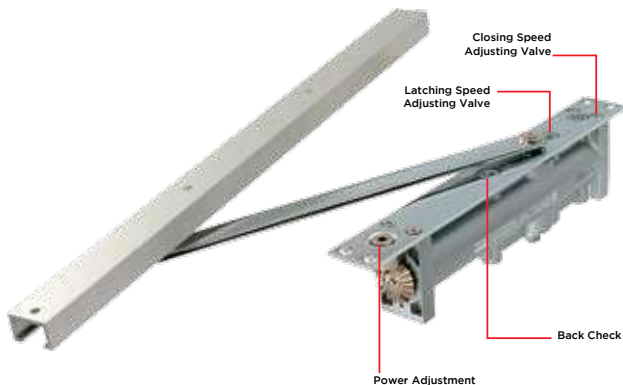
**Specifications**

**Concealed Rack & Pinion Door Closer with EN 3**

- Fully hydraulically controlled adjustable closing speed in two independent ranges
- Non handed design
- With track arm
- Maximum door weight-60Kg.
- Maximum door width-950mm
- Minimum door thickness for installation-35mm
- Fire tested and certified by Warrington APT Laboratories, UK
- Test certificate available on request
- Finish: Grey



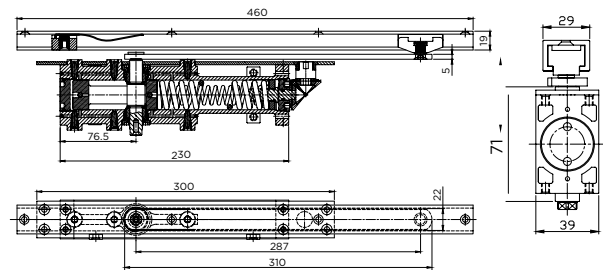
**CDC-4800, CONCEALED DOOR CLOSER**  
**Power Adjustable with Back Check**



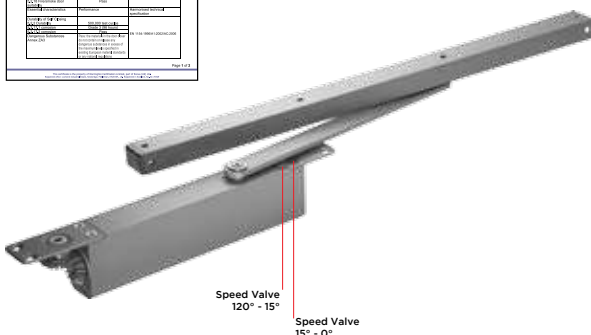
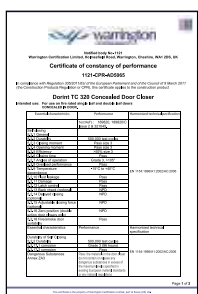
**Specifications**

**Concealed Rack & Pinion Door Closer with adjustable value EN 2-4**

- Fully hydraulically controlled adjustable closing speed in two independent ranges
- Power adjustable with back check
- Non handed design
- With track arm
- With back check adjustable between 70°-120°
- Tested to EN 1154
- Maximum door weight - upto 100Kg.
- Maximum door width-1100mm
- Minimum door thickness for installation-50mm
- Fire tested and certified by Warrington APT Laboratories, UK
- Test certificate available on request
- Finish: Silver



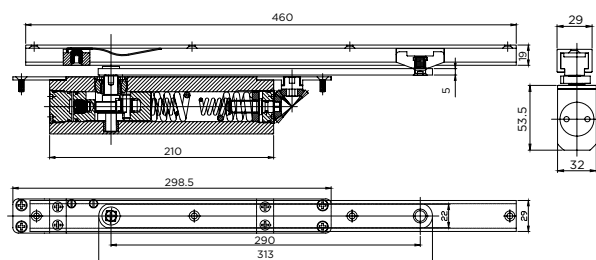
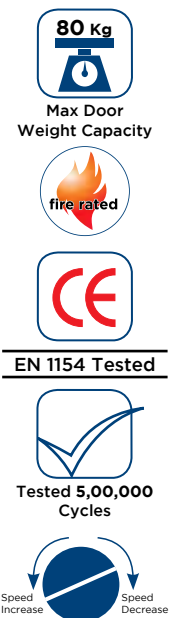
**CDC-CA-6800, CAM ACTION CONCEALED DOOR CLOSER**  
**Power Adjustable**



**Specifications**

**Cam Action Concealed Door Closer with Adjustable closing force EN 2-4**

- Easy opening action
- Power adjustable
- Adjustable closing speed in two independent ranges
- Non handed design
- With track arm
- Maximum door weight - upto 80Kg.
- Maximum door width-1100mm
- Minimum door thickness for installation-40mm
- Fire tested and certified by Warrington APT Laboratories. UK
- Test certificate available on request
- Can be mounted to door leaf and transom
- Tested to EN 1154
- Finish: Silver



Available against bulk orders only

**NSK-980-EMHO-SA**

Door Closer with Electromagnetic Hold Open  
Scissor Arm without Smoke Detector  
Finish: SSS



**NSK-980-EMHO-SA-S**

Door Closer with Electromagnetic Hold Open  
Scissor Arm with Smoke Detector  
Finish: SSS



**NSK-980-EMHO-TA**

Door Closer with Electromagnetic Hold Open  
Track Arm without Smoke Detector  
Finish: SSS



**NSK-980-EMHO-TA-S**

Door Closer with Electromagnetic Hold Open  
Track Arm with Smoke Detector  
Finish: SSS





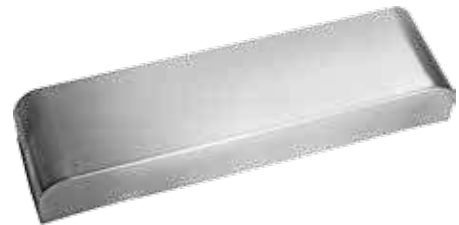
**ODC-ARM SS**  
Stainless Steel Arm for  
NSK 780 & 880



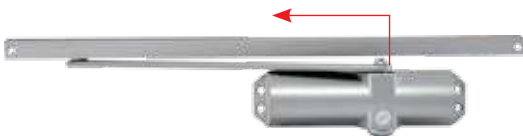
**ODC-ARM HO 680**  
Hold Open Arm for  
NSK 780/880 & 980



**ODC-ACC-PB**  
Parallel Arm Bracket



**NSK-980-COVER**  
Stainless Steel Door Closer  
Cover For NSK 980



**ODC-ARM TR-HO-980**  
Track Arm for NSK  
680/780/880 & 980 with  
Hold Open Function



**NSK-ACC-780-PLATE**  
Plate for Mounting Door  
Closer on Glass

**Disclaimer:** Product specifications, information & visuals shown in this catalogue are illustrative in nature, the customers are advised to kindly check technical specifications & details before placing order. Company will not be liable for any such loss to customers for technically unsuitable/unfit product. Ozone Overseas reserves the right to change or modify the specifications any time without notice/information. The Company shall only be responsible for defects covered under the product warranty and shall in no way be accountable for any defects (including but not limited to packaging, installation instructions, manuals, specification instructions and care and maintenance instructions), after the delivery of goods to the Customer. All risk and obligations in the goods and products delivered by the Company passes to the Purchaser immediately upon delivery to the Purchaser.

## Corporate Office



### New Delhi

H-40, Bali Nagar,  
New Delhi-110 015  
T: +91-11-45576677 (30 Lines)  
Fax: +91-11-45576699  
e-mail: ozone@ozone-india.com

## Works

Ozone Metallics Pvt. Ltd.  
Trilokpur Road, Kheri,  
Nahan District-Sirmour  
Kala Amb  
Himachal Pradesh



### Bengaluru\*

No. 424, 2<sup>nd</sup> Floor, Above HDFC Bank,  
Passport Office Road, 6<sup>th</sup> block,  
Koramangala, Bengaluru - 560034  
T : +91-80-41207539  
E-mail: blrhub@ozone-india.com

### Chennai\*

No.28/1, Rajarathnam Street, Kilpauk,  
Opp. Beverly Hotel, Chennai - 600010  
T : +91-44-43802063  
E-mail: chennaihub@ozone-india.com

### New Delhi\*\*

1/122, Timber Mkt., Kirti Nagar, New Delhi  
T : +91-11-49124400, 01  
E-mail: delhihub@ozone-india.com

### Lucknow\*

Akash Apartment-2 1st Floor Gokhale Marg  
Opp. IFFCO, Lucknow-226001  
T : +91-0522-4109647  
Mob: 9794970000

\*Also Branch Offices

\*\*Also Operation Office



Scan QR Code  
for Website

## International Offices



### Melbourne, Australia

Ozone Australia Pty. Ltd.  
e-mail : info@ozoneaustralia.com.au  
website : www.ozoneaustralia.com.au

## Branch Offices

### Ahmedabad

407, 4th Floor, Shivalik Abaise,  
Opp. Shell Petrol Pump, Prahaladnagar,  
Ahmedabad - 380051  
T : +91-079-29706789

### Chandigarh

SCO 907, NAC Mani Majra  
Near Solitaire Hotel,  
Chandigarh - 160101  
Mob: +91-9316001154

### Hyderabad

#8-3-231/4/7, Flat No-103, Laxmi Plaza,  
Jubilee Hills, Hyderabad - 500045  
Mob: +91-9515156404

### Indore

503, B Block, Prakrati Corporate,  
Y N Road, Indore - 452001  
Mob: +91-9589589902

### Jaipur

27, 5th Floor, Mahima Trinity Mall, Swej Farm,  
New Sanganer Road, Jaipur-302019  
T : +91-141-2294261  
E-mail: jaipurhub@ozone-india.com

### Mumbai

The Avenue, 607,  
Near Waterstones Hotel, Int. Airport Road,  
Marol, Andheri (E), Mumbai - 400059  
T : +91-22-28306453  
Mob: +91-7045775977

### Pune

#105, 1st Floor, Suyog Center  
Market Yard, Gultekdi, Pune - 411037  
Mob: +91-9974180155

**FOR SAMPLING AND PRICING**

Contact: +971 4 2999 145  
Email: sales@tenova.ae

www.ozone-india.com | India Customer Care: 09310012300 | ozone@ozone-india.com

